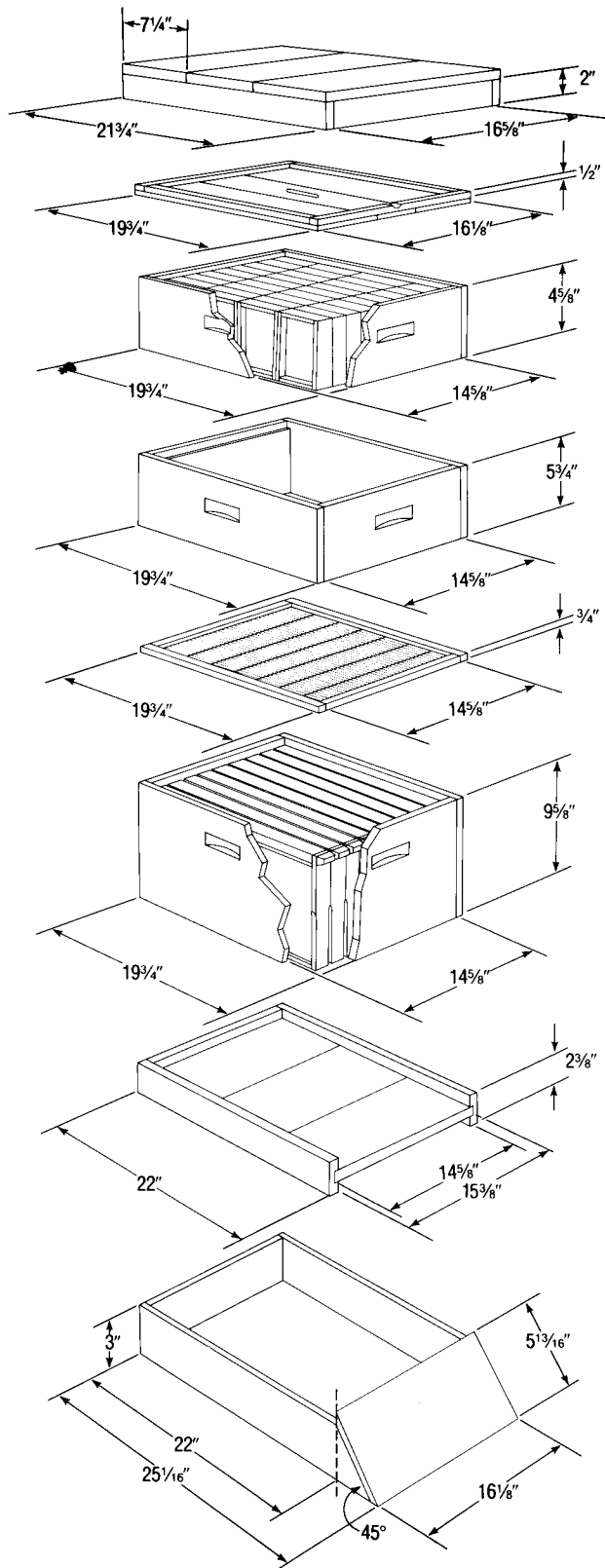


Figure 4. Equipment and dimensions for a standard Langstroth hive.



**Outer Telescoping Cover**

- 3 pieces  $7\frac{1}{4}'' \times \frac{3}{4}'' \times 18\frac{1}{8}''$  (top)
- 2 pieces  $21\frac{3}{4}'' \times \frac{3}{4}'' \times 2''$  (sides)
- 2 pieces  $16\frac{5}{8}'' \times \frac{3}{4}'' \times 2''$  (ends)

**Inner Cover**

- 2 pieces  $\frac{1}{2}'' \times \frac{3}{4}'' \times 16\frac{1}{8}''$
- 2 pieces  $\frac{1}{2}'' \times \frac{3}{4}'' \times 18\frac{1}{4}''$
- 2 pieces  $6'' \times \frac{3}{8}'' \times 19\frac{3}{4}''$
- 1 piece  $4\frac{1}{8}'' \times \frac{3}{8}'' \times 19\frac{3}{4}''$

**Section Comb Super**

- 2 pieces  $19\frac{3}{4}'' \times \frac{3}{4}'' \times 4\frac{5}{8}''$  (sides)
- 2 pieces  $14\frac{5}{8}'' \times \frac{3}{4}'' \times 4\frac{5}{8}''$  (ends)

**Shallow Extracting Super**

- 2 pieces  $19\frac{3}{4}'' \times \frac{3}{4}'' \times 5\frac{3}{4}''$  (sides)
- 2 pieces  $14\frac{5}{8}'' \times \frac{3}{4}'' \times 5\frac{3}{4}''$  (ends)

**Queen Excluder**

- 2 pieces  $19\frac{3}{4}'' \times \frac{3}{4}'' \times 5\frac{3}{4}''$  (sides)
- 2 pieces  $14\frac{5}{8}'' \times \frac{3}{4}'' \times 5\frac{3}{4}''$  (ends)

**Full Depth Hive Body**

- 2 pieces  $19\frac{3}{4}'' \times \frac{3}{4}'' \times 9\frac{5}{8}''$  (sides)
- 2 pieces  $14\frac{5}{8}'' \times \frac{3}{4}'' \times 9\frac{5}{8}''$  (ends)

**Bottom Board**

- 3 pieces  $7\frac{1}{8}'' \times \frac{3}{4}'' \times 15\frac{3}{8}''$  (floor)
- 2 pieces  $2\frac{3}{8}'' \times \frac{3}{4}'' \times 22''$  (sides)
- 1 piece  $2\frac{3}{8}'' \times \frac{3}{4}'' \times 14\frac{5}{8}''$  (end)

**Hive Stand**

- 1 piece  $3'' \times \frac{3}{4}'' \times 14\frac{5}{8}''$  (back end)
- 2 pieces  $3'' \times \frac{3}{4}'' \times 25\frac{1}{16}''$  (sides)
- 1 piece  $5\frac{1}{16}'' \times \frac{3}{4}'' \times 16\frac{1}{8}''$  (front end)