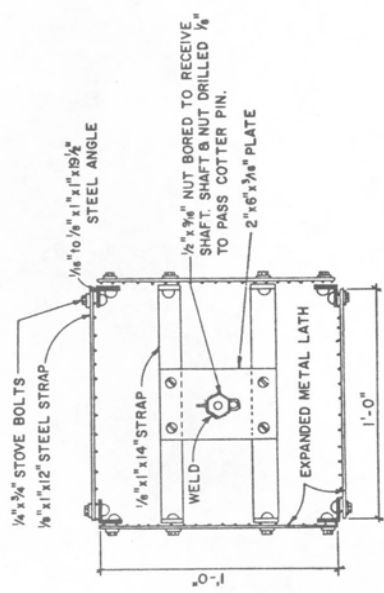
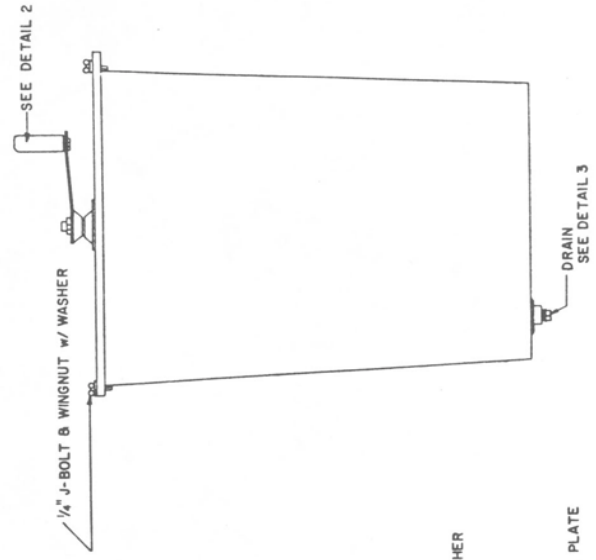


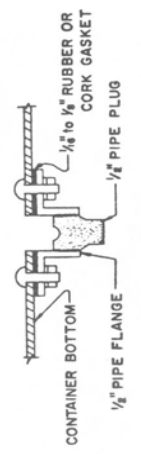
**NOTE:** THE HONEY EXTRACTOR IS USED TO SPIN HONEY OUT OF THE COMBS AFTER THEY HAVE BEEN UNCAPPED. THIS UNIT WILL HANDLE FOUR COMBS AT ONCE. CAUTION SHOULD BE USED WHEN EXTRACTING FROM NEW OR VERY OLD COMBS AS THEY ARE SUBJECT TO BREAKAGE. THESE COMBS SHOULD BE PARTIALLY EMPTIED ON ONE SIDE THEN TURNED AND PARTIALLY EMPTIED ON THE OTHER SIDE, REPEATING THIS PROCEDURE UNTIL ALL HONEY IS REMOVED.



**SECTION AA**

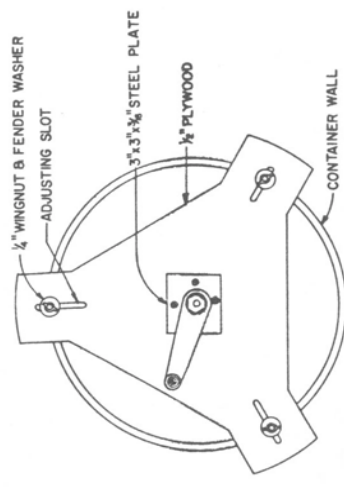


**SIDE VIEW**

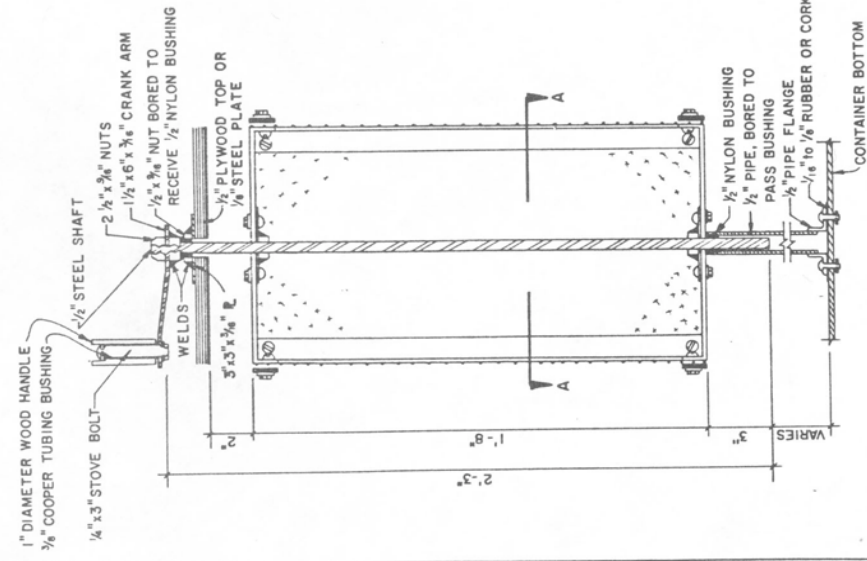


**DETAIL 3 - DRAIN FITTING**

NOT TO SCALE



**TOP VIEW**



**DETAIL 2 - EXTRACTOR PARTIAL SECTION**

COOPERATIVE EXTENSION WORK IN  
AGRICULTURE AND HOME ECONOMICS  
THE PENNSYLVANIA STATE UNIVERSITY  
AND  
UNITED STATES DEPARTMENT OF AGRICULTURE COOPERATING

HONEY EXTRACTOR

USDA '79 Ex. 6330 SHEET 1 OF 1

790-6330